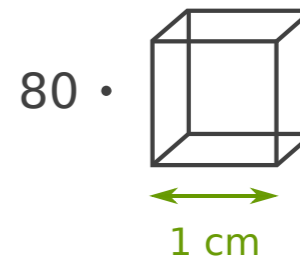
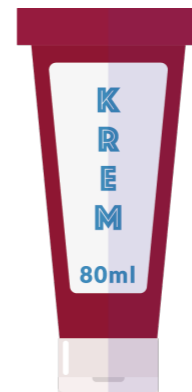
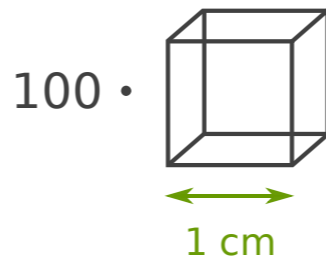
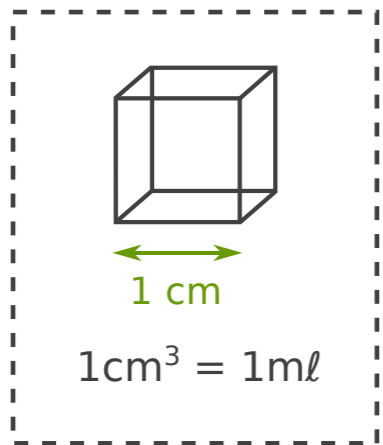


Zapamiętaj



$500\text{ ml} = 0,5\text{ l}$

$1000\text{ ml} = 1\text{ l} = 1000\text{cm}^3$

$1\text{ dm} = 10\text{ cm}$

